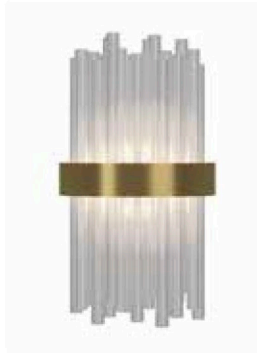


My Lamp Wall

DESIGN | PAOLO CASTELLI



Finishes of the above picture



Metal Finish
Matt Gold

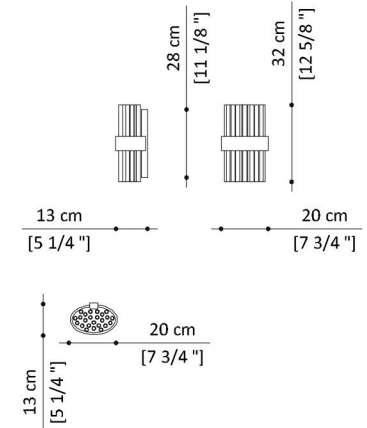
My Lamp Wall è una raffinata ed elegante lampada a parete che completa la collezione My Lamp. Si compone di un raffinato bouquet di tubi realizzati in vetro borosilicato veneziano e raccolti in una fascia metallica con finitura oro opaco.

My Lamp Wall is a stylish and elegant wall lamp that completes the My Lamp collection. It comprises a significant "bouquet" of venetian borosilicate glass tubes bound together by a metal band with a unique finish mat gold.

SMALL

TECHNICAL SHEET

MY LAMP WALL
Light source: LED
Total power: 15W
Voltage: 100-240V
Rated luminous flux: 1300 Lm
Colour temperature: 2700° K
Colour rendering index: Ra>80
Dimmer function: No
Weight: Kg 4
Package size: 130 x 30 x 50 cm
Package weight: Kg 15

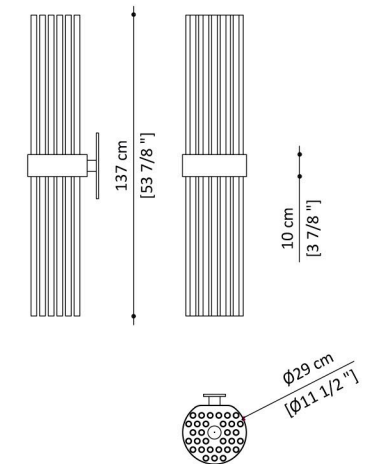


SMALL | ILL.MYLA.510
Mat gold finish

BIG

TECHNICAL SHEET

MY LAMP WALL BIG
Light source: Strip LED 15 W/M
Total power: 52W
Voltage: 220-240V
Rated luminous flux: 4760 Lm
Colour temperature: 2700° K
Colour rendering index: Ra>80
Dimmer function: No
Weight: Kg 17
Package size: 200 x 77 x 48 cm
Package weight: Kg 65



BIG | ILL.MYLA.520
Mat gold finish



03

